



WHITE AND RAL PROGRAMS

FEATURE OVERVIEW

July 2023

INTRODUCTION

Sound reinforcement installation projects may require enclosures to remain as discreet as possible in order to blend into the architecture of a venue. To meet these visual requirements, L-Acoustics offers the possibility to order speakers in WHITE or in special colors following the RAL CLASSIC chart.

WHITE PROGRAM



The L-Acoustics references covered by the WHITE program are identified in the L-Acoustics price list with the W suffix. This suffix can be found for both WHITE enclosures and their compatible WHITE rigging accessories. The WHITE color corresponds to the Pure White, RAL 9010. WHITE products are typically available three months after the first serial production batch.










RAL PROGRAM



The L-Acoustics references covered in the RAL program are identified in the L-Acoustics price list with the RAL suffix. This suffix can be found for both RAL enclosures and their compatible RAL rigging accessories. RAL products are typically available three months after the first serial production batch.

RAL CLASSIC

RAL (Reichsausschuß für Lieferbedingungen) is a standard color chart codification. There are several RAL color charts. The RAL CLASSIC, considered to be the standard architectural color system, contains 213 references. Each color is identified by a four digit number. The first RAL digit relates to the shade of the color:

	RAL 1000 to 1099	YELLOW
	RAL 2000 to 2099	ORANGE
	RAL 3000 to 3099	RED
	RAL 4000 to 4099	PURPLE
	RAL 5000 to 5099	BLUE
	RAL 6000 to 6099	GREEN
	RAL 7000 to 7099	GREY
	RAL 8000 to 8099	BROWN
	RAL 9000 to 9099	BLACK/WHITE

L-Acoustics uses the 213 colors of the RAL CLASSIC color chart and orders shall be made using the four-digit RAL code. L-Acoustics does not use the RAL DESIGN color chart which contain 1,625 colors and uses a seven-digit code, referring to color by both hue and brightness.

L-Acoustics uses satin finish with gloss from 10 to 35 GU depending on the surface material.



FINISHED PARTS AND NON-FINISHED PARTS

Although L-Acoustics strives to paint as many parts as possible in White or RAL color, some cannot be for various technical reasons and therefore remain in their standard color. The following images illustrate the parts of the enclosure and accessories that are painted and those that are not.

The following elements are painted in White or RAL colors:

- Cabinetry
- Air net and front grill
- L-Fins
- Non-movable steel

The following elements are not painted in White or RAL colors:

- L-Acoustics Logo : black and gold
- Bolts and screws : black or stainless finish based on best possible harmony
- Locking knob: black or white based on best possible harmony
- Connector panel: black
- Risers, non-skid inserts or pads: black
- Seal : black or white based on best possible harmony
- Ball locking pins: black and stainless finish

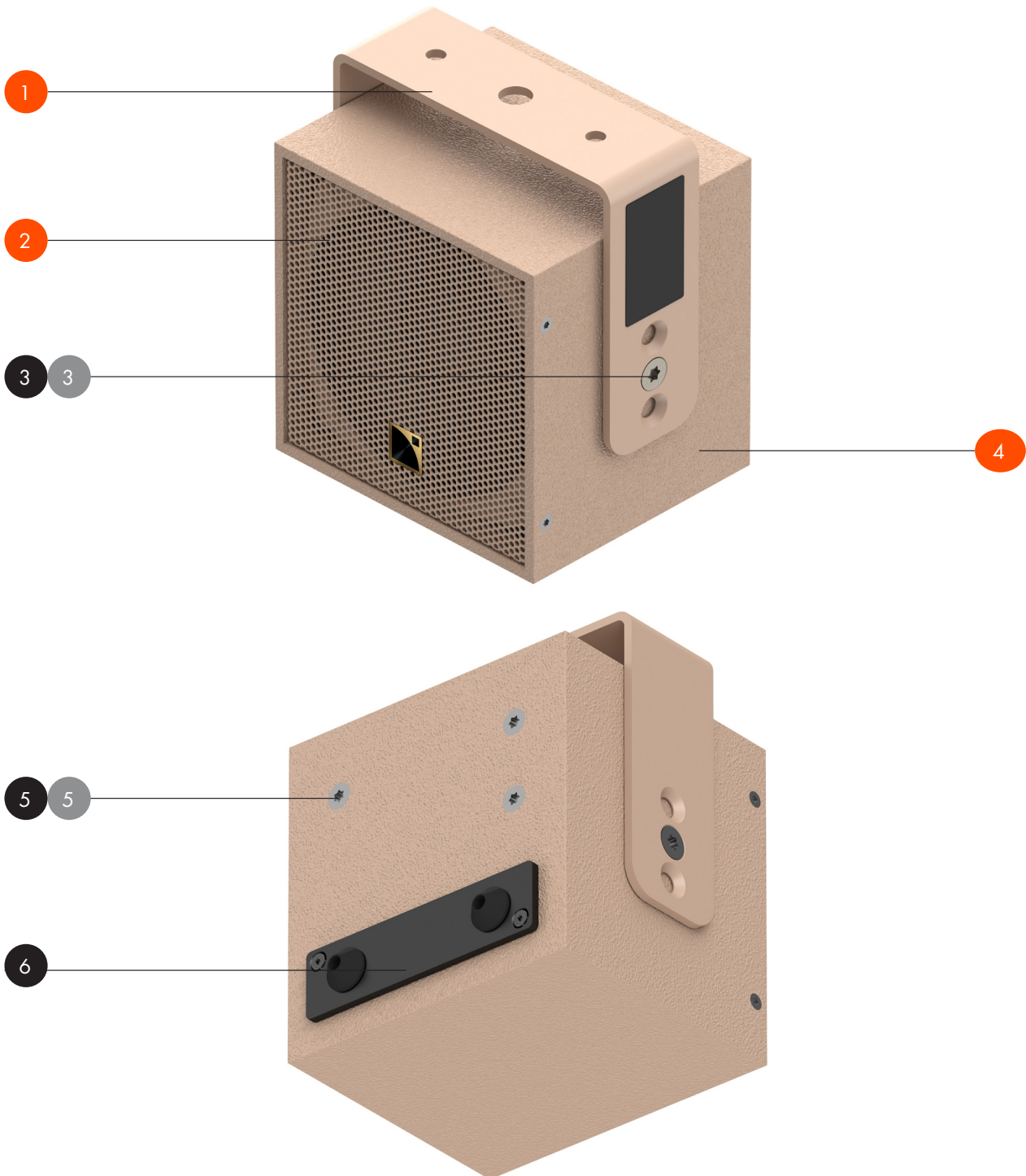
CASE OF X15 HIQ

There is no WHITE standard reference for X15 HiQ. For X15 HiQ in white, order X15 HiQ RAL with RAL reference 9010.

CONTENT

X SERIES - X4i	3
X SERIES - X4r	4
X SERIES - 5XT	5
X SERIES - X8	6
X SERIES - X12 / X15 HiQ	7
X SERIES - Accessories	8
S SERIES - Soka	9
S SERIES - Soka inWall	10
S SERIES - Syva / Syva Low / Syva Sub	11
S SERIES - Accessories	12
A SERIES - A15i / KS21i	13
A SERIES - A10i	14
K SERIES - Kiva II	15
K SERIES - SB15m	16
K SERIES - KARA Ili / SB18 Ili	17
K SERIES - K3i	19
SUB SERIES - SB6i	21
SUB SERIES - SB6r	22
SUB SERIES - SB10i	23
SUB SERIES - SB10r	24

X SERIES - X4i

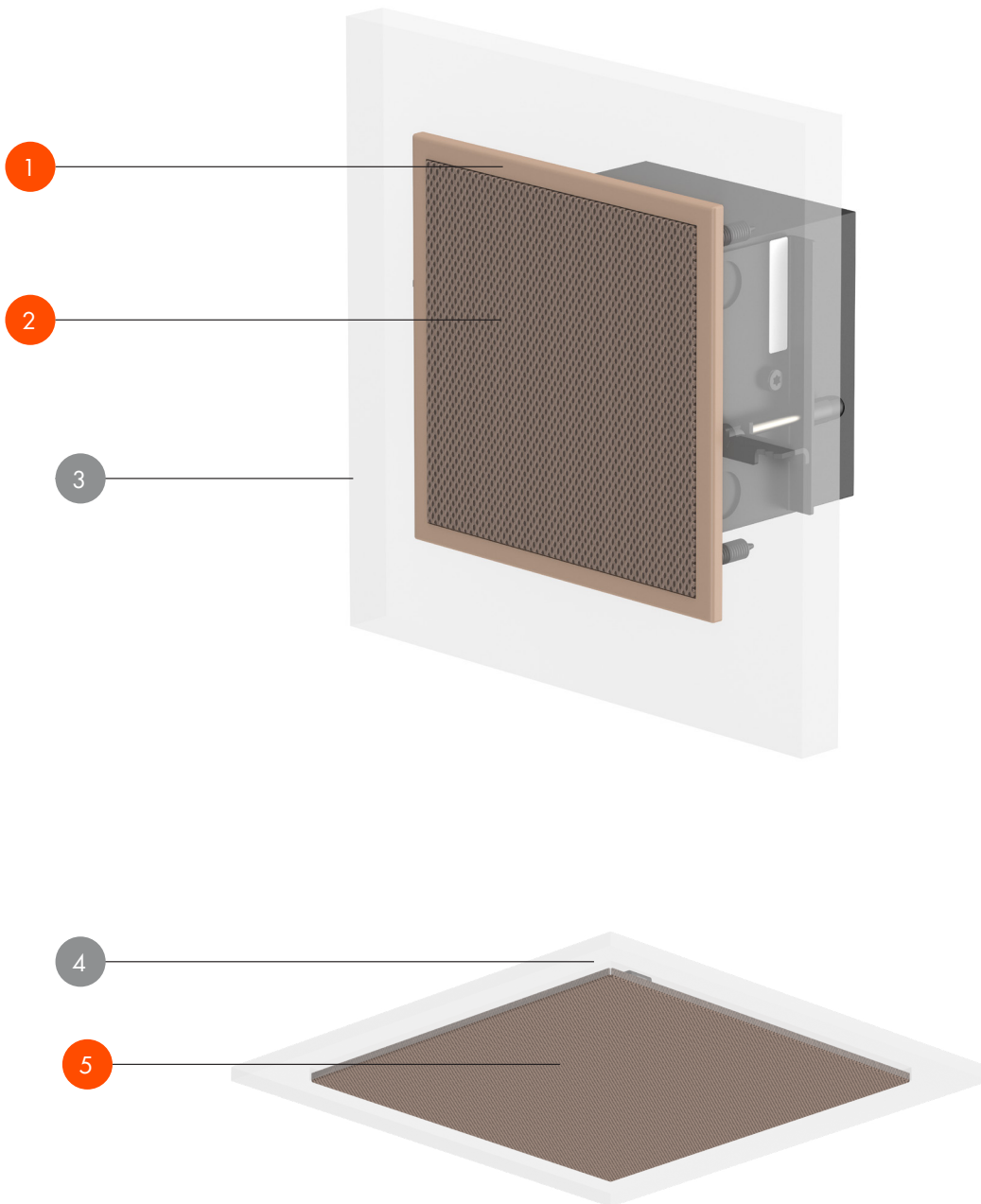


- 1 X-U4i
- 2 X4i grill
- 3 X-U4i linking screws
- 4 X4i enclosure
- 5 X4i screws

- 6 Connector panel and connector sealing plate

- WHITE OR RAL CLASSIC ●
- WHITE
- BLACK
- STAINLESS

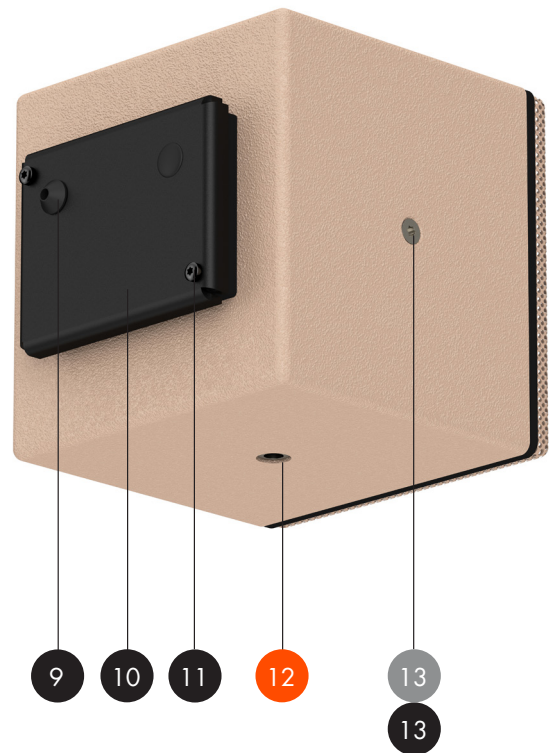
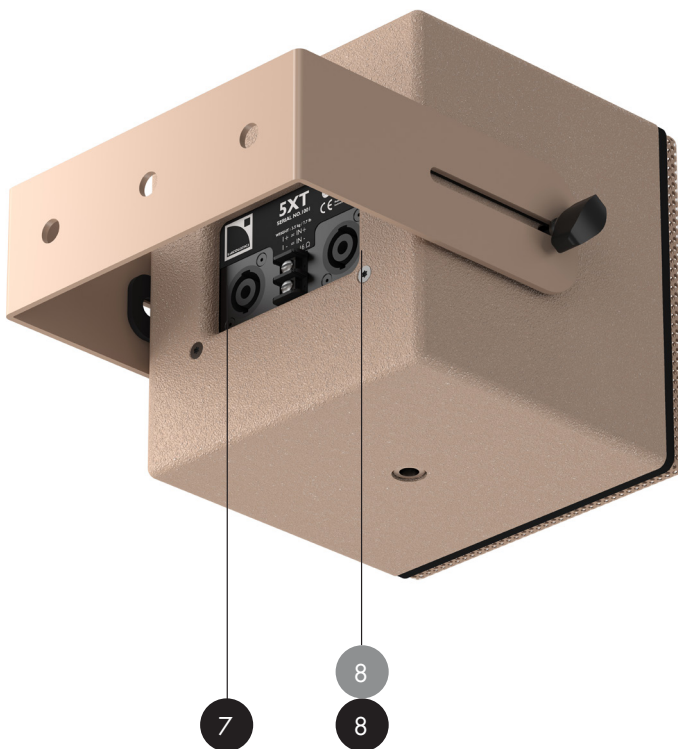
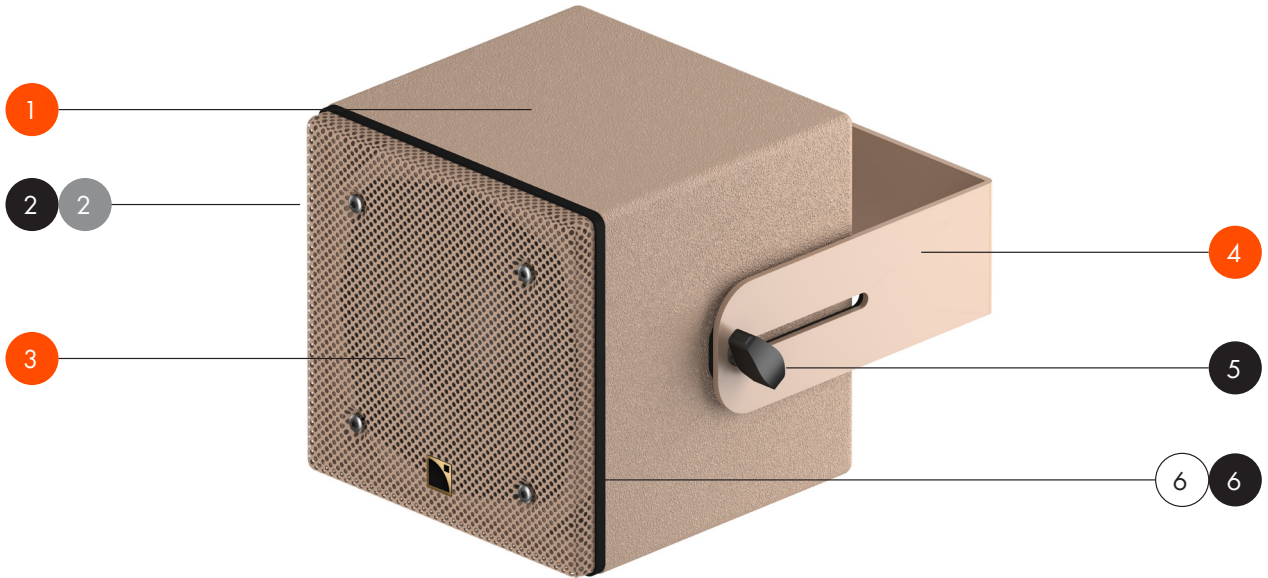
X SERIES - X4r



- 1 X4r inWall frame
- 2 X4r inWall screen
- 3 Wall
- 4 Ceiling
- 5 X4r inTile screen

- WHITE OR RAL CLASSIC ●
- WHITE ○
- BLACK ●
- STAINLESS ●

X SERIES - 5XT



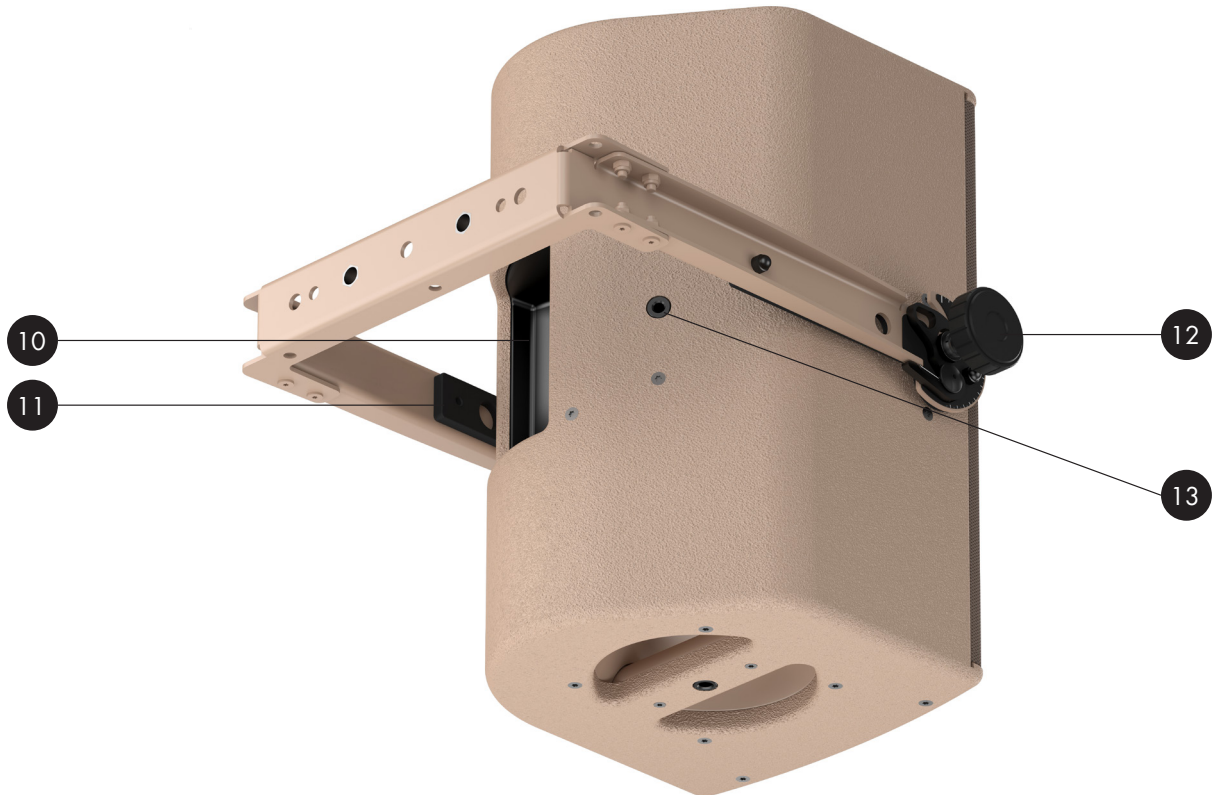
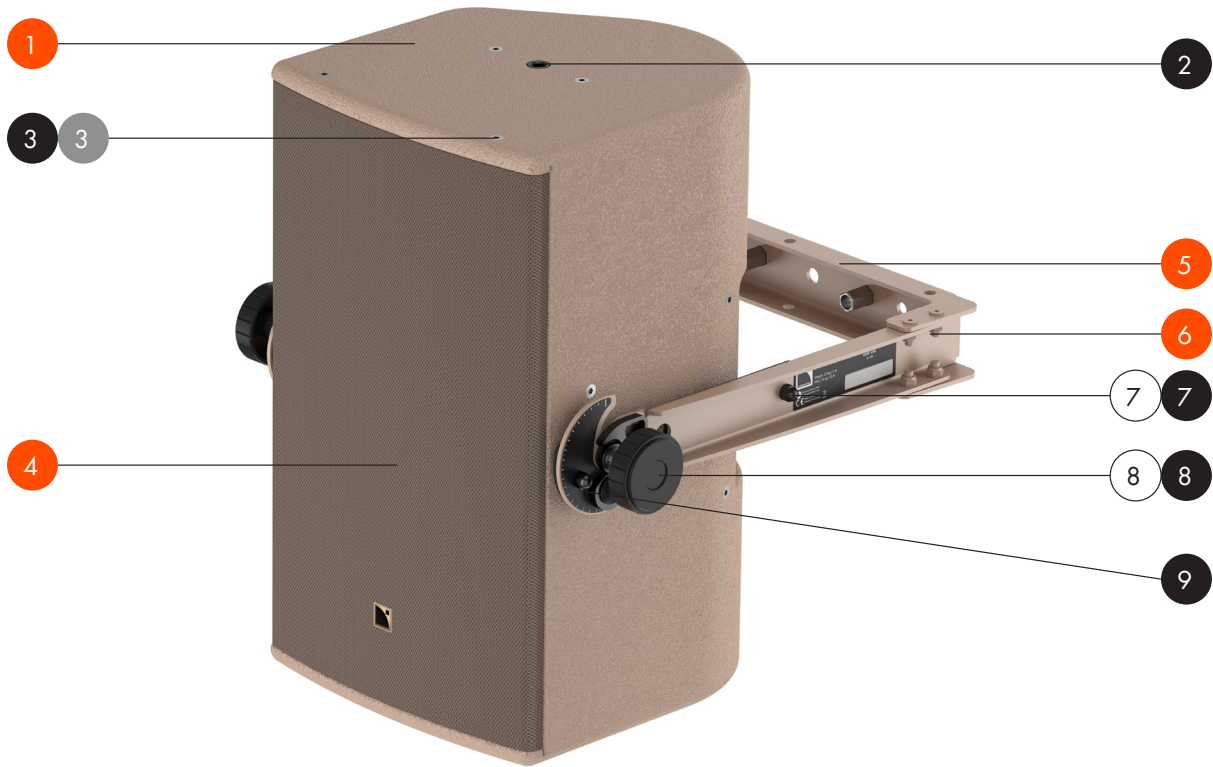
- 1 5XT enclosure
- 2 5XT grill screws
- 3 5XT grill
- 4 ETR5
- 5 ETR5 pole locking knobs

- 6 5XT grill seal
- 7 5XT connector panel
- 8 5XT screws
- 9 5XT-SEALPLATE cable pass-through

- 10 5XT-SEALPLATE
- 11 5XT-SEALPLATE screws
- 12 5XT mic stand insert
- 13 5XT inserts

- WHITE OR RAL CLASSIC ●
- WHITE
- BLACK
- STAINLESS

X SERIES - X8

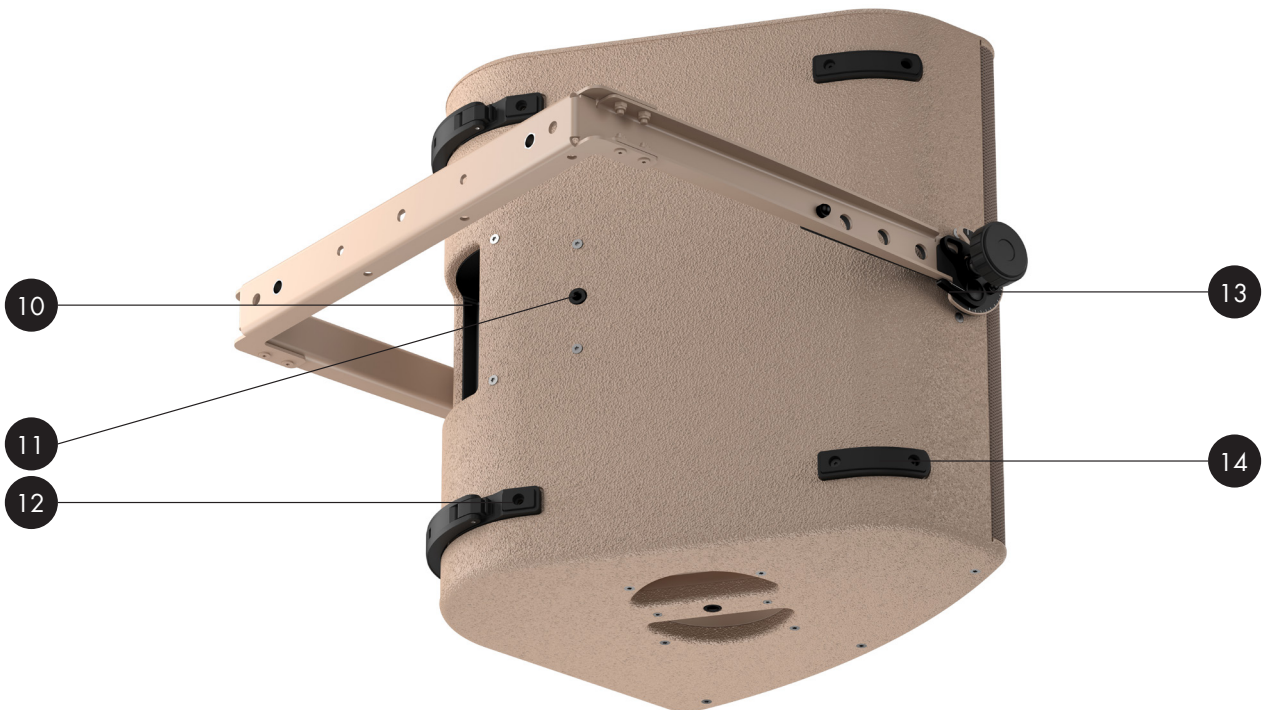
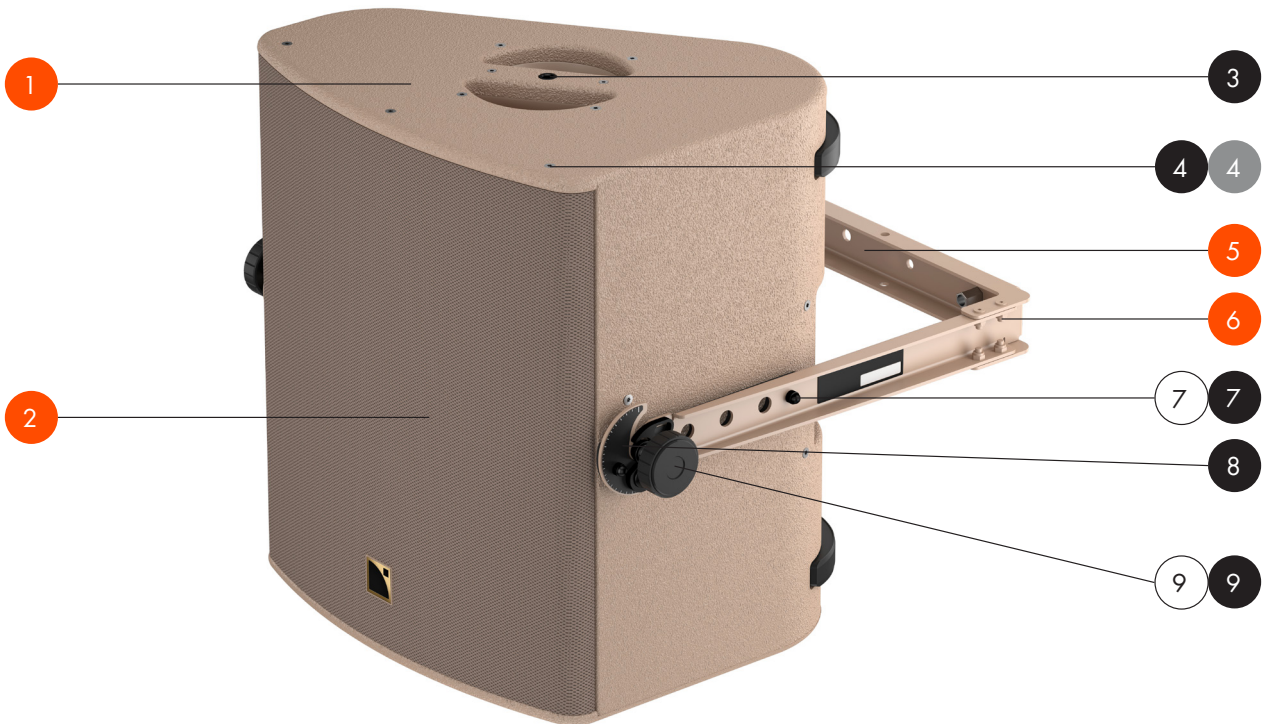


- 1 X8 enclosure
- 2 X-UL8 mounting insert
- 3 X8 screws
- 4 X8 Air net + grill
- 5 X-US8
- 6 X-US8 screws
- 7 X-US8 nut cover

- 8 X-US8 locking knob
- 9 X-US8 tilt angle selector
- 10 X8 connector panel
- 11 X8 wear proof rubber pads
- 12 X-US8 knob spring locker
- 13 X-BAR mounting insert

- WHITE OR RAL CLASSIC ●
- WHITE
- BLACK
- STAINLESS

X SERIES - X12 / X15 HiQ

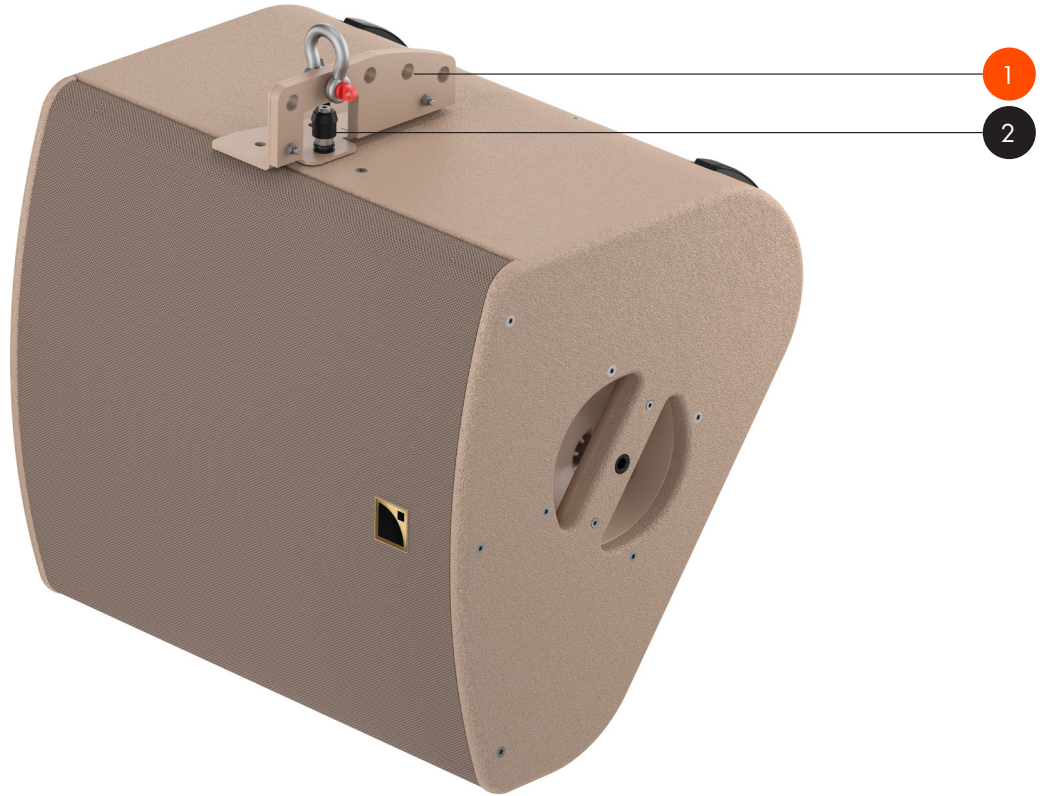


- 1 X12 enclosure
- 2 X12 Air net + grill
- 3 X-UL12 mounting insert
- 4 X12 screws
- 5 X-US1215
- 6 X-US1215 screws
- 7 X-US1215 nut cover

- 8 X-US1215 tilt angle selector
- 9 X-US1215 locking knob
- 10 X12 Connector panel
- 11 X-BAR mounting insert
- 12 X12 wear proof rubber pads
- 13 X-US1215 knob spring locker
- 14 X12 risers

- WHITE OR RAL CLASSIC ●
- WHITE ○
- BLACK ●
- STAINLESS ●

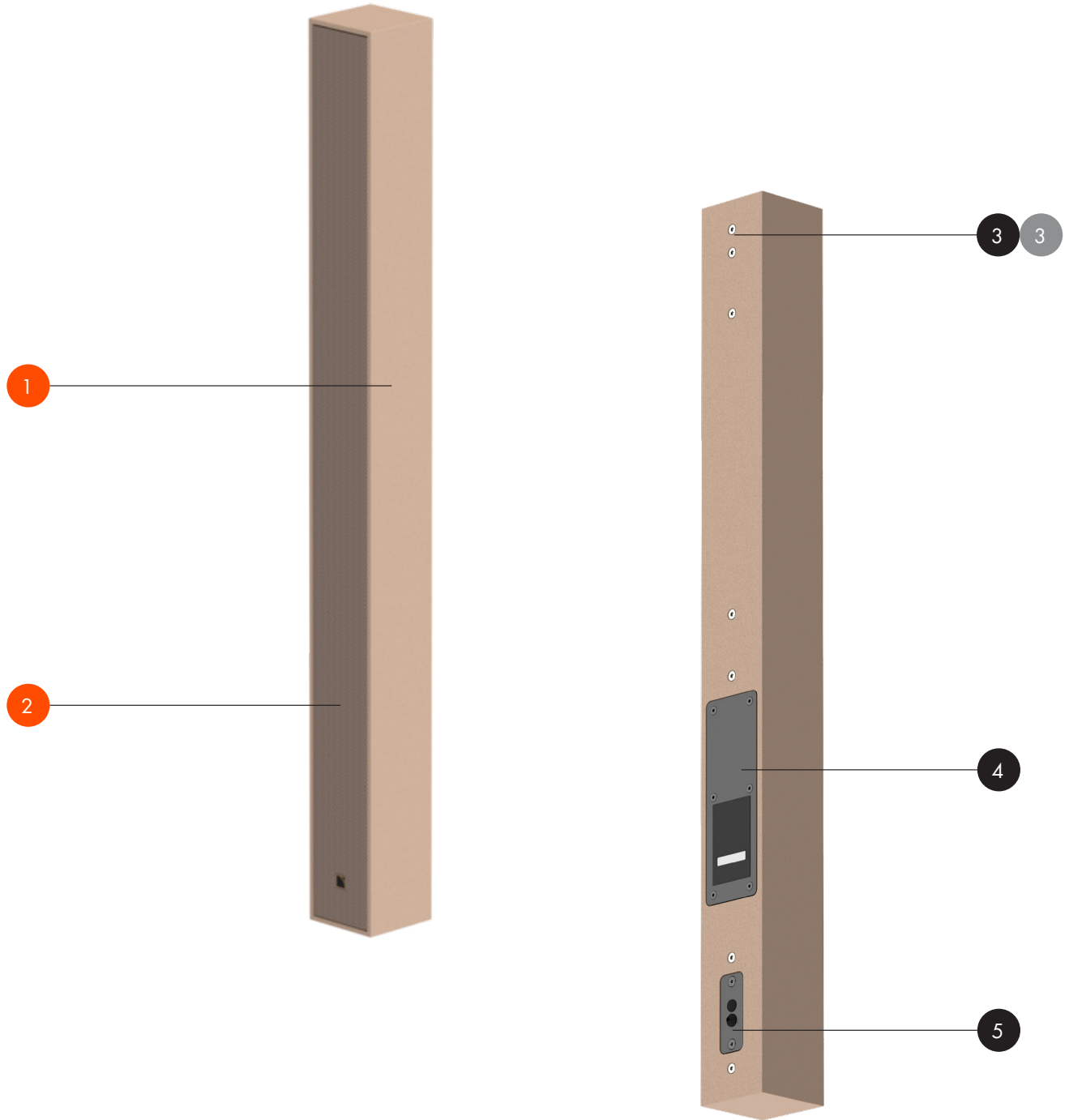
X SERIES - Accessories



- 1 X-BAR
- 2 X-BAR locking lever

- WHITE OR RAL CLASSIC ●
- WHITE ○
- BLACK ●
- STAINLESS ●

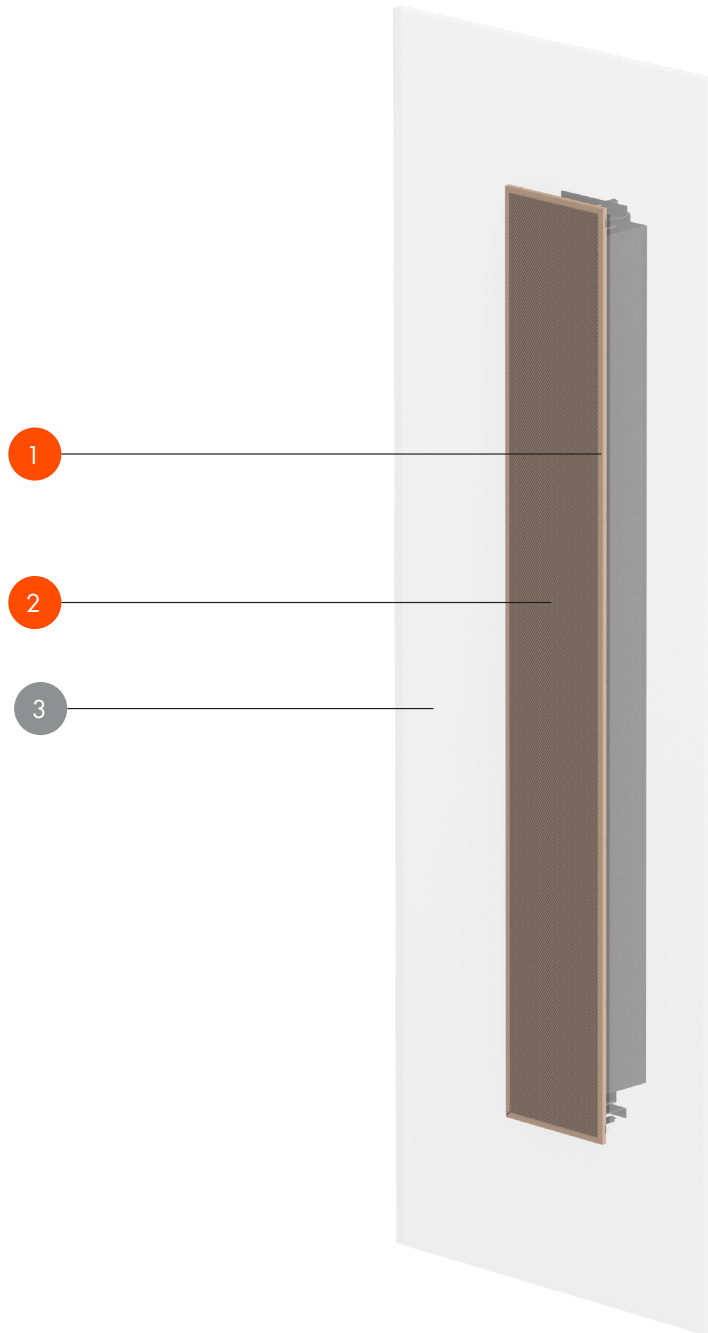
S SERIES - Soka



- 1 Soka enclosure
- 2 Soka Air net + grill
- 3 Soka screws
- 4 Soka rear plate
- 5 Soka connector panel

- WHITE OR RAL CLASSIC ●
- WHITE ○
- BLACK ●
- STAINLESS ●

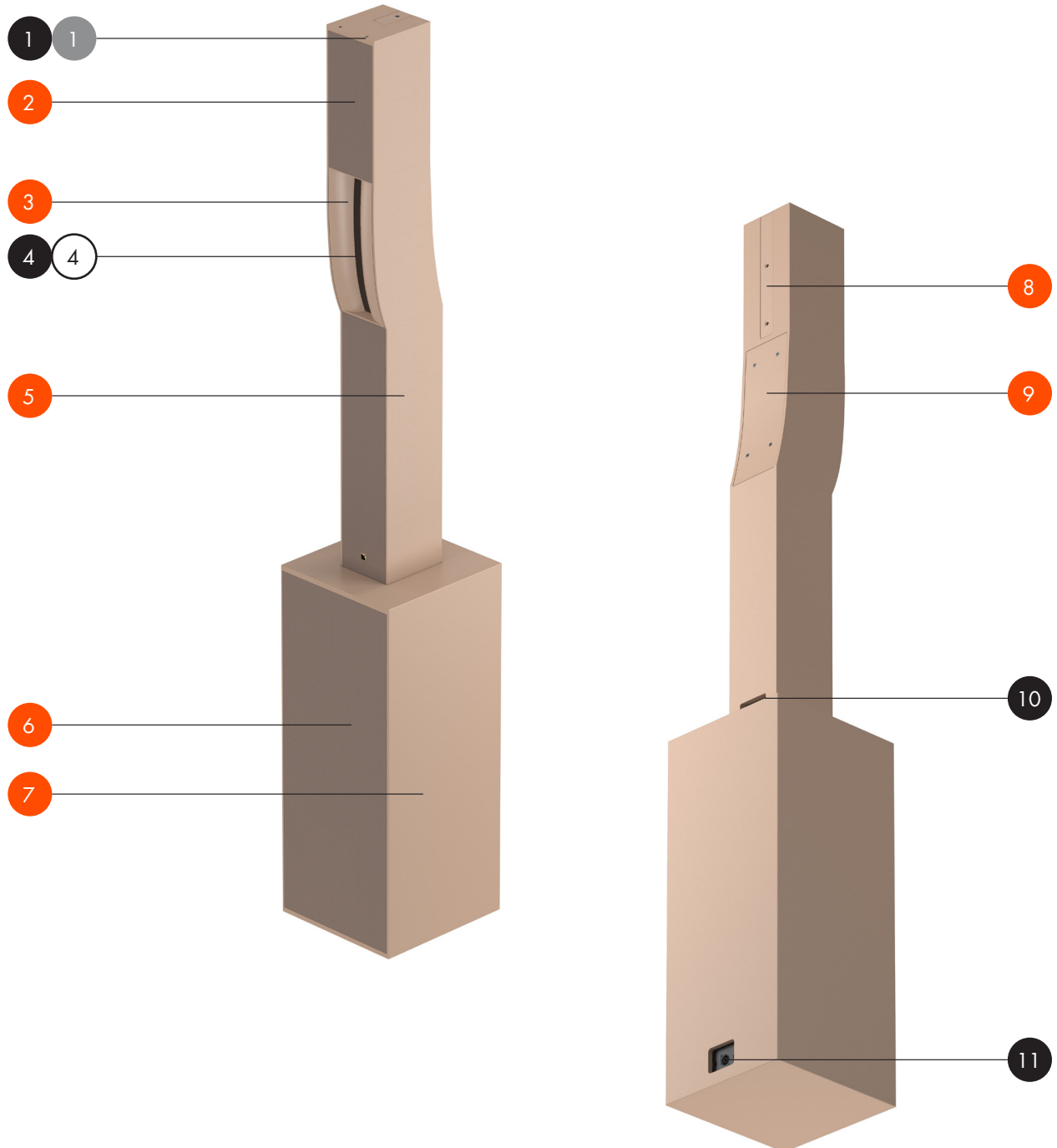
S SERIES - Soka inWall



- 1 Soka inWall frame
- 2 Soka inWall screen
- 3 Wall

- WHITE OR RAL CLASSIC ●
- WHITE ○
- BLACK ●
- STAINLESS ●

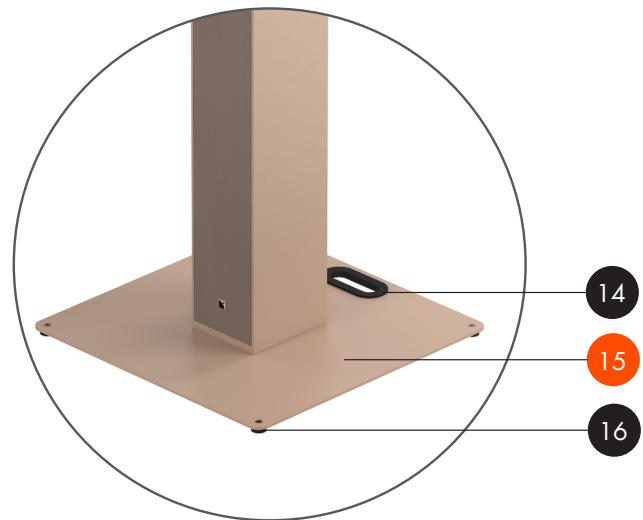
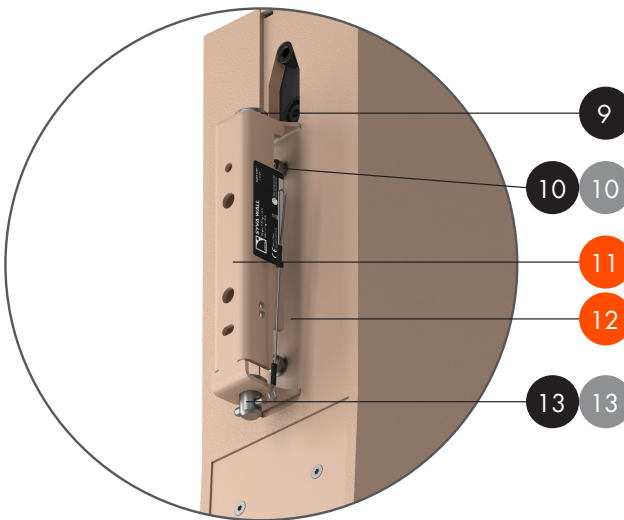
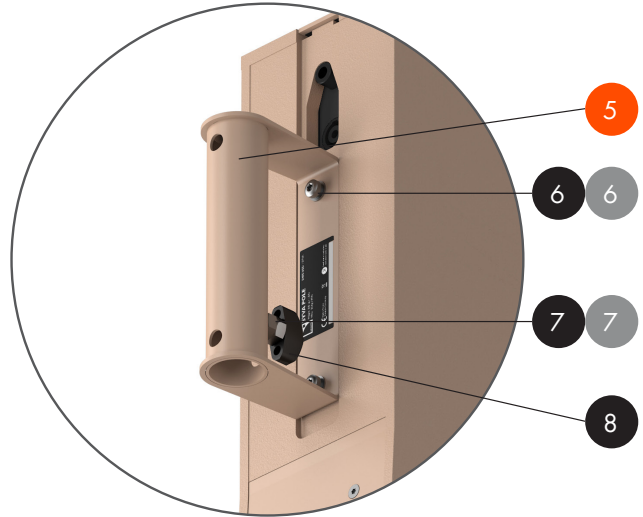
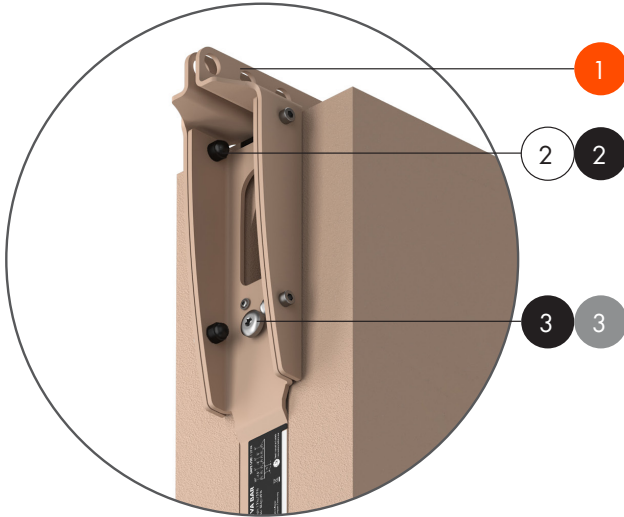
S SERIES - Syva / Syva Low / Syva Sub



- | | |
|---------------------------|---------------------------------|
| 1 Syva screws | 7 Syva Low/Sub enclosure |
| 2 Syva MF Air net + grill | 8 Syva backplate |
| 3 Syva HF L-Fins | 9 Syva trapdoor |
| 4 Syva HF Air net | 10 Syva connector panel |
| 5 Syva enclosure | 11 Syva Low/Sub connector panel |
| 6 Syva Low/Sub Air net | |

- WHITE OR RAL CLASSIC ●
- WHITE ○
- BLACK ●
- STAINLESS ●

S SERIES - Accessories



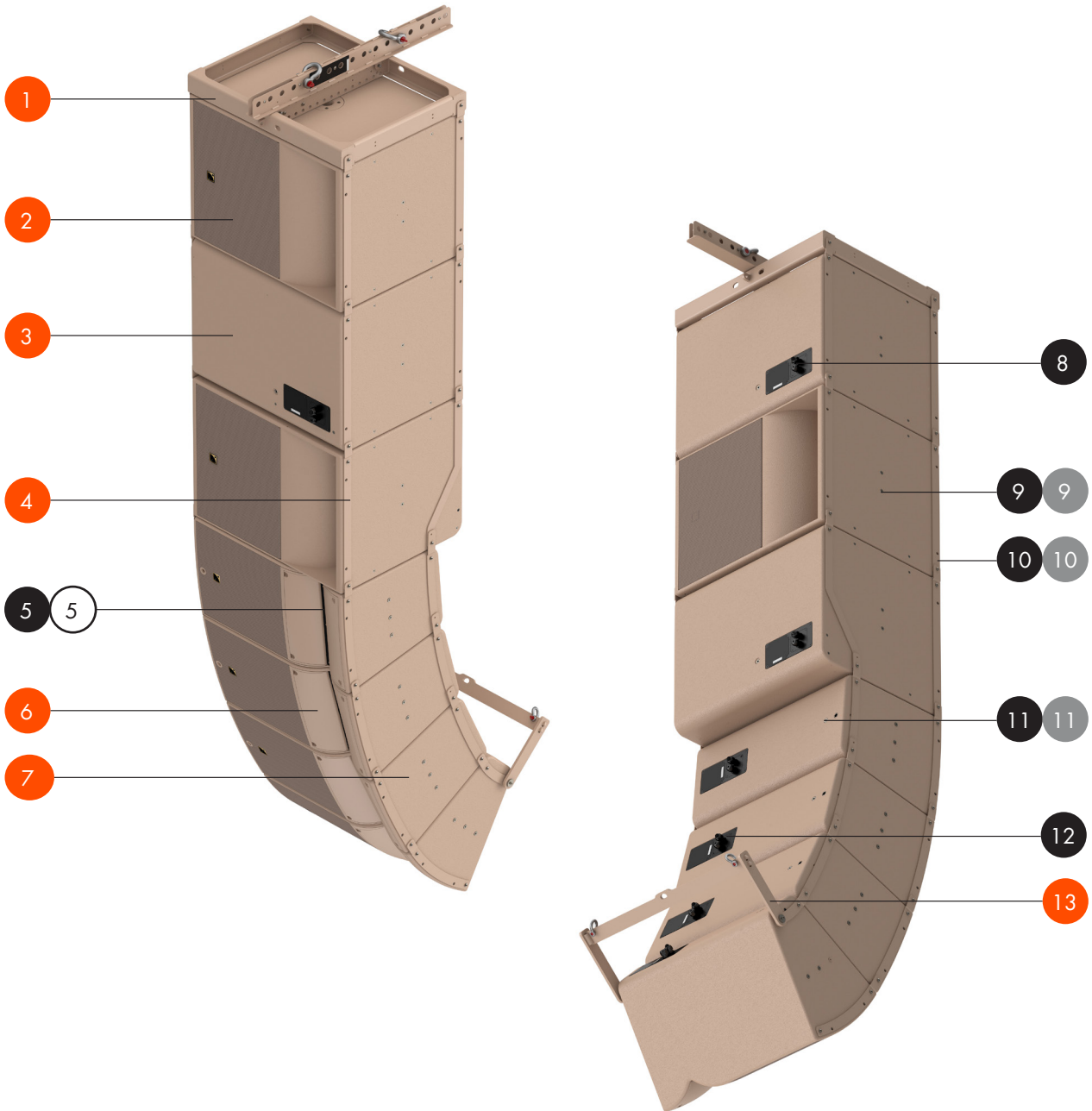
- 1 SYVA BAR
- 2 SYVA BAR nut cover
- 3 SYVA BAR linking screws
- 4 SYVA BAR label
- 5 SYVA POLE
- 6 SYVA POLE linking screws

- 7 SYVA POLE locking nut
- 8 SYVA POLE locking knob
- 9 SYVA POLE angle selector
- 10 SYVA WALL linking screws
- 11 SYVA WALL base
- 12 SYVA WALL bracket

- 13 SYVA WALL safety pin
- 14 SYVA BASE
- 15 SYVA BASE handle
- 16 SYVA BASE rubber pads

- WHITE OR RAL CLASSIC ●
- WHITE
- BLACK
- STAINLESS

A SERIES - A15i / KS21i

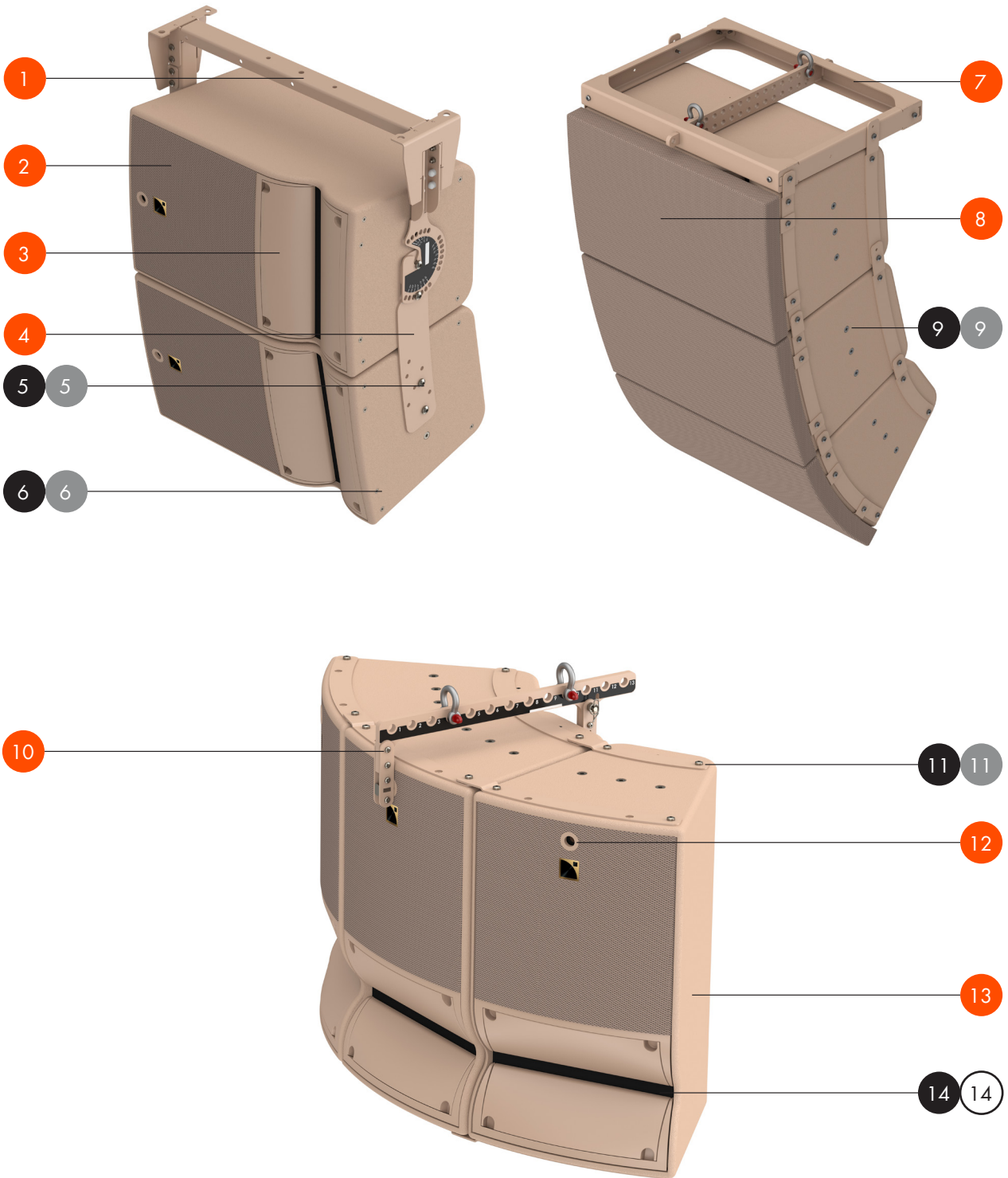


- 1 A15i-BUMP
- 2 KS21i Air net + grill
- 3 KS21i enclosure
- 4 KS21i and A15i links
- 5 A15i HF Air Net
- 6 A15i Panflex
- 7 A15i enclosure

- 8 KS21i connector plate
- 9 KS21i inserts
- 10 Links screws
- 11 A15i safety insert
- 12 A15i connector plate
- 12 A15i-RIGBAR

- WHITE OR RAL CLASSIC ●
- WHITE
- BLACK
- STAINLESS

A SERIES - A10i

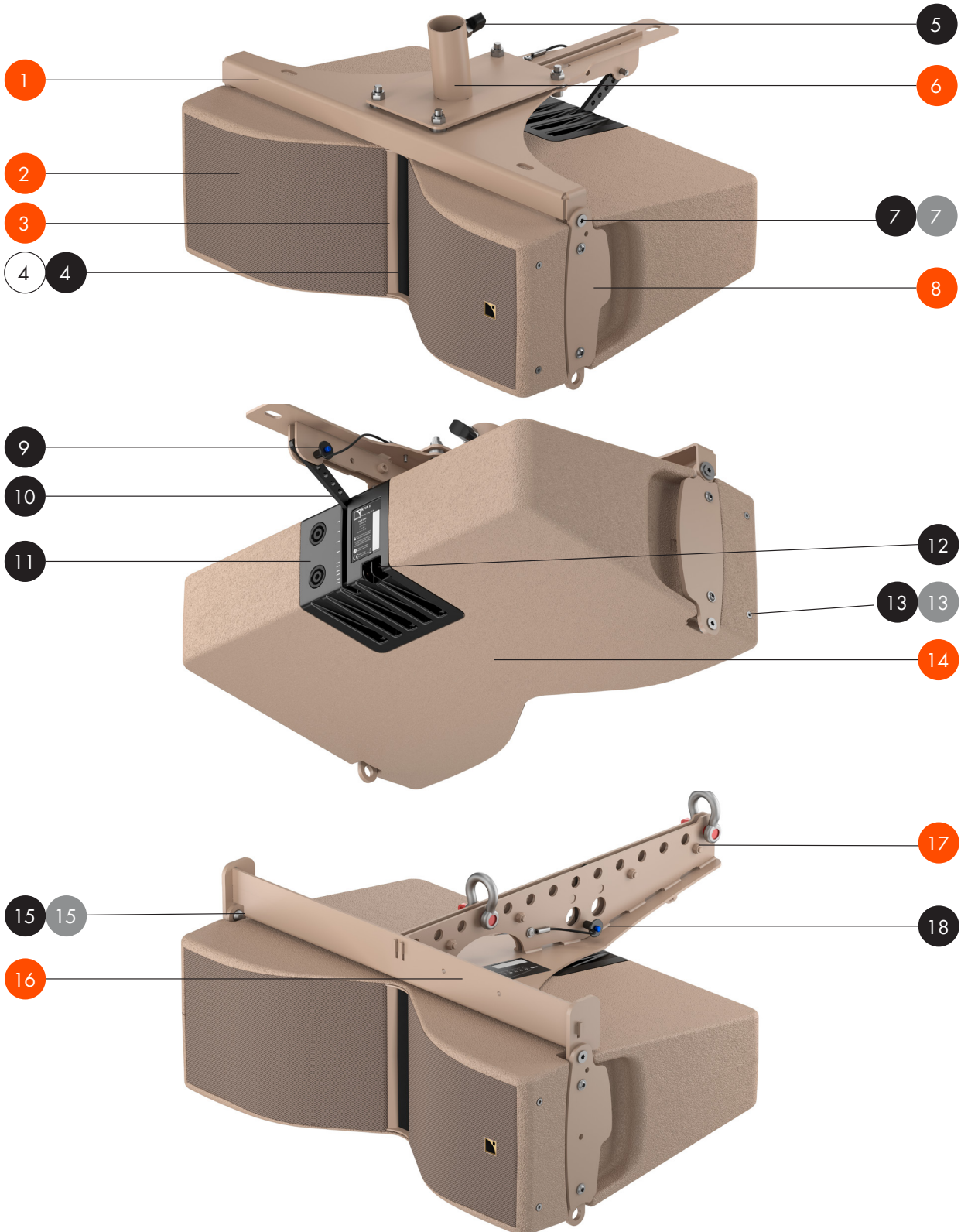


- 1 A-U10i
- 2 A10i Airnet + grill
- 3 A10i Panflex
- 4 A-U10i links
- 5 A-U10i screws
- 6 A10i inserts
- 7 A10i-BUMP

- 8 A10i Acoustically transparent screen
- 9 A10i inserts
- 10 A10i-LIFT
- 11 Links screws
- 12 A10i-LIFT lodging
- 13 A10i enclosure
- 14 A10i HF Air Net

- WHITE OR RAL CLASSIC ●
- WHITE
- BLACK
- STAINLESS

K SERIES - Kiva II



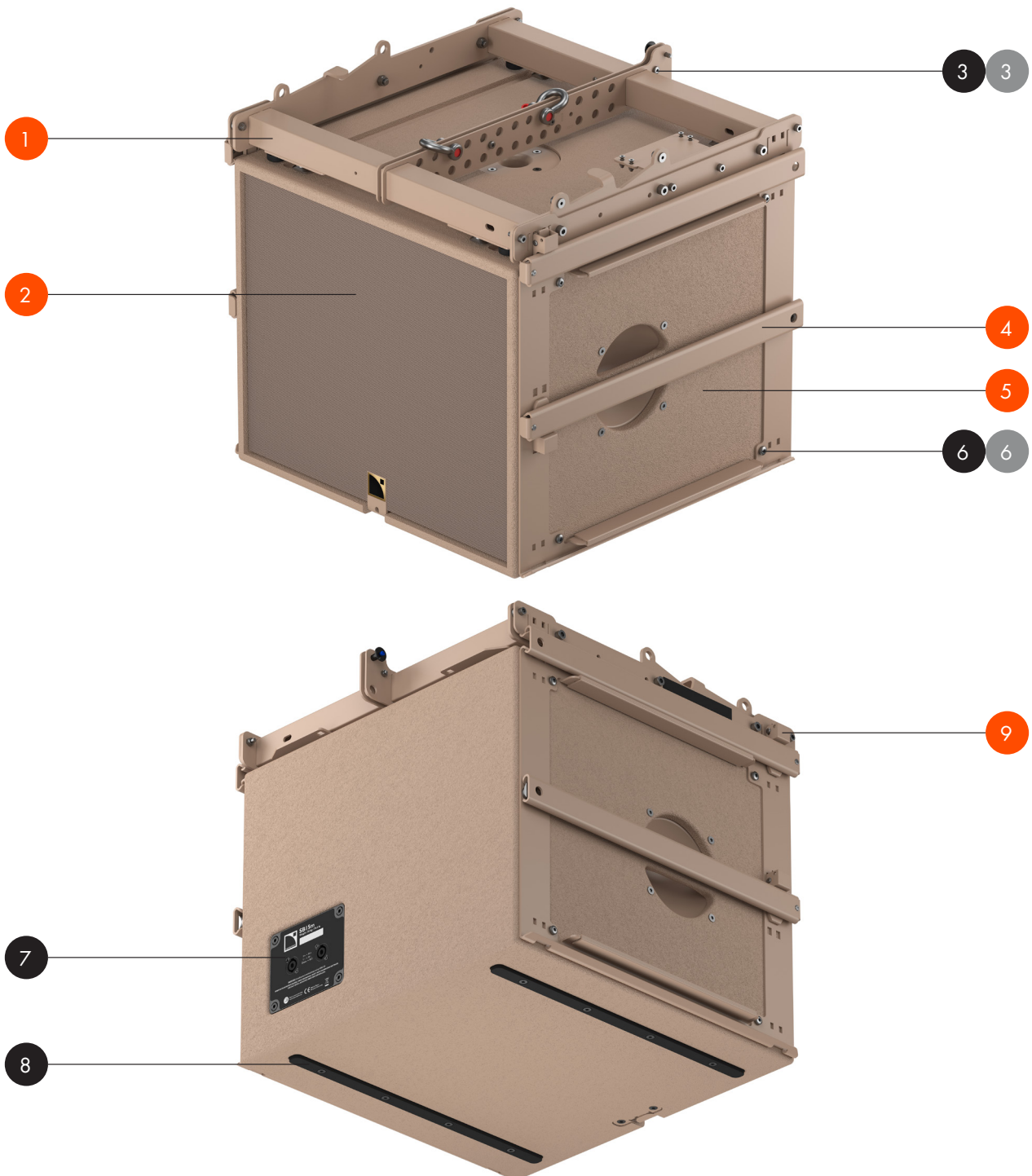
- 1 KIET II
- 2 Kiva II MF Air net + grill
- 3 Kiva HF L-Fins
- 4 Kiva II HF Air net
- 5 KIET II pole locking knob
- 6 KIET II pole mounting insert
- 7 Kiva II linking pin

- 8 Kiva II handles
- 9 KIET II ball locking pin
- 10 Kiva II rigging arm
- 11 Kiva II Connector panel
- 12 Kiva II spring loaded pin
- 13 Kiva II enclosure screws
- 14 Kiva II enclosure

- 15 KIBU II front linking points
- 16 KIBU II
- 17 KIBU II screws
- 18 KIBU II ball locking pin

- WHITE OR RAL CLASSIC ●
- WHITE
- BLACK
- STAINLESS

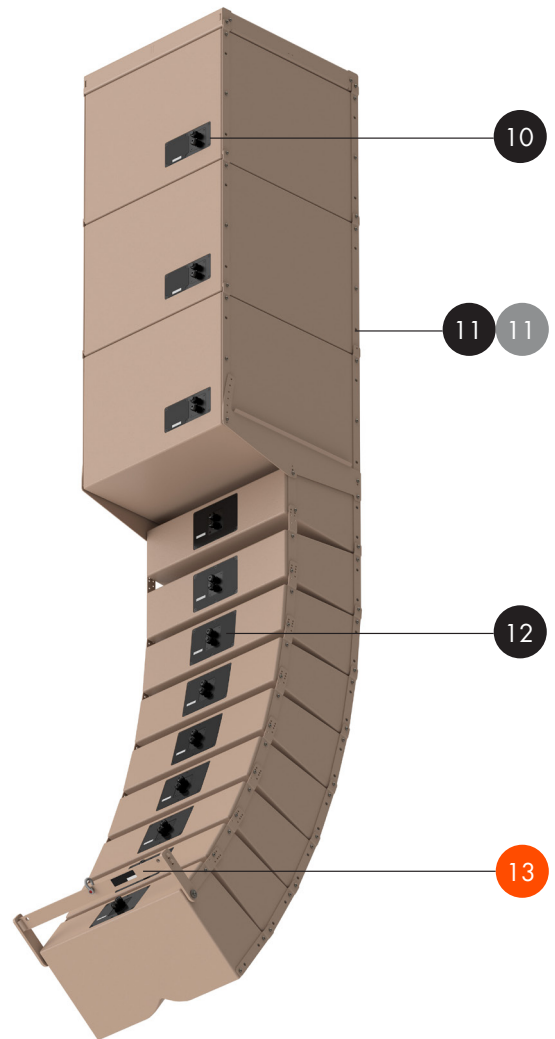
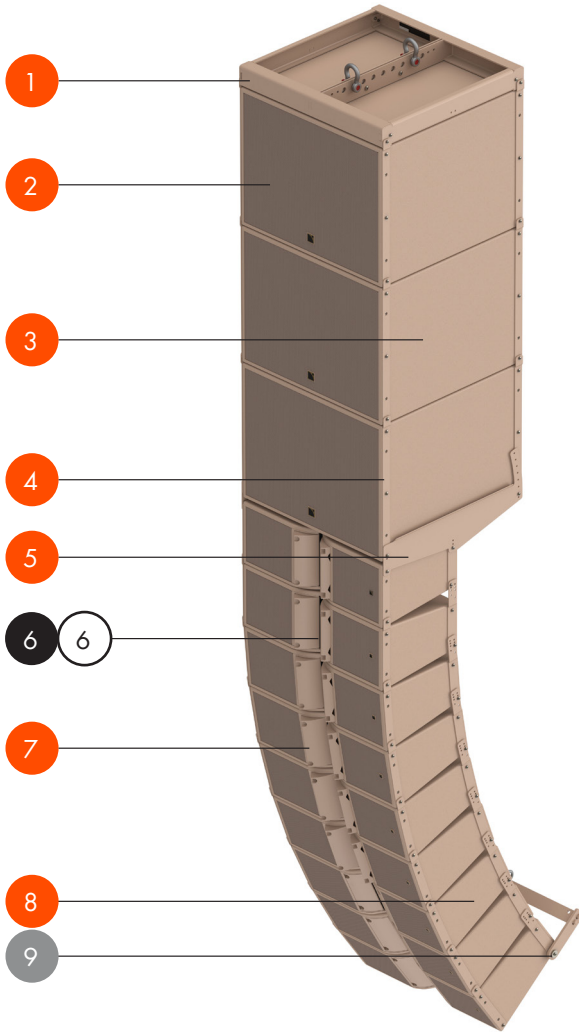
K SERIES - SB15m



- | | |
|-------------------------|--------------------------|
| 1 KIBU-SB | 6 SB15m screws |
| 2 SB15m Air net + grill | 7 SB15m Connector panel |
| 3 KIBU-SB screws | 9 SB15m non-skid inserts |
| 4 KIBU-SB coupling bar | 10 SB15m locking tab |
| 5 SB15m enclosure | |

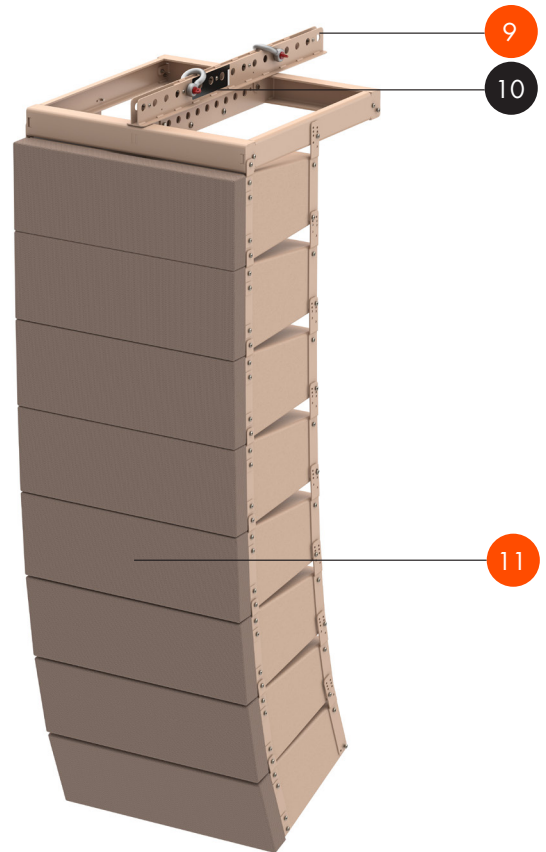
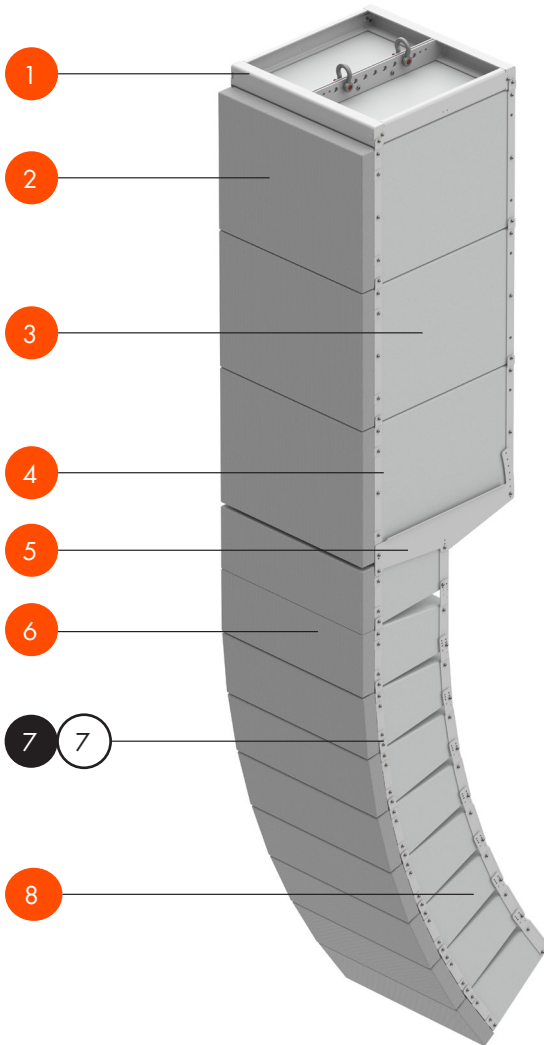
- WHITE OR RAL CLASSIC ●
- WHITE ○
- BLACK ●
- STAINLESS ●

K SERIES - KARA Ili / SB18 Ili



- | | |
|-------------------------------|-----------------------------|
| 1 KARAli-BUMP | 8 KARA Ili enclosure |
| 2 SB18 Ili Air net + grill | 9 KARAli-RIGBAR metal disc |
| 3 SB18 Ili enclosure | 10 SB18 Ili connector plate |
| 4 SB18 Ili and Kara Ili links | 11 Links screws |
| 5 KARAli-TILT | 12 KARA Ili connector plate |
| 6 KARA Ili HF Air Net | 13 KARAli-RIGBAR |
| 7 KARA Ili Panflex | |

- WHITE OR RAL CLASSIC ●
- WHITE ○
- BLACK ●
- STAINLESS ●

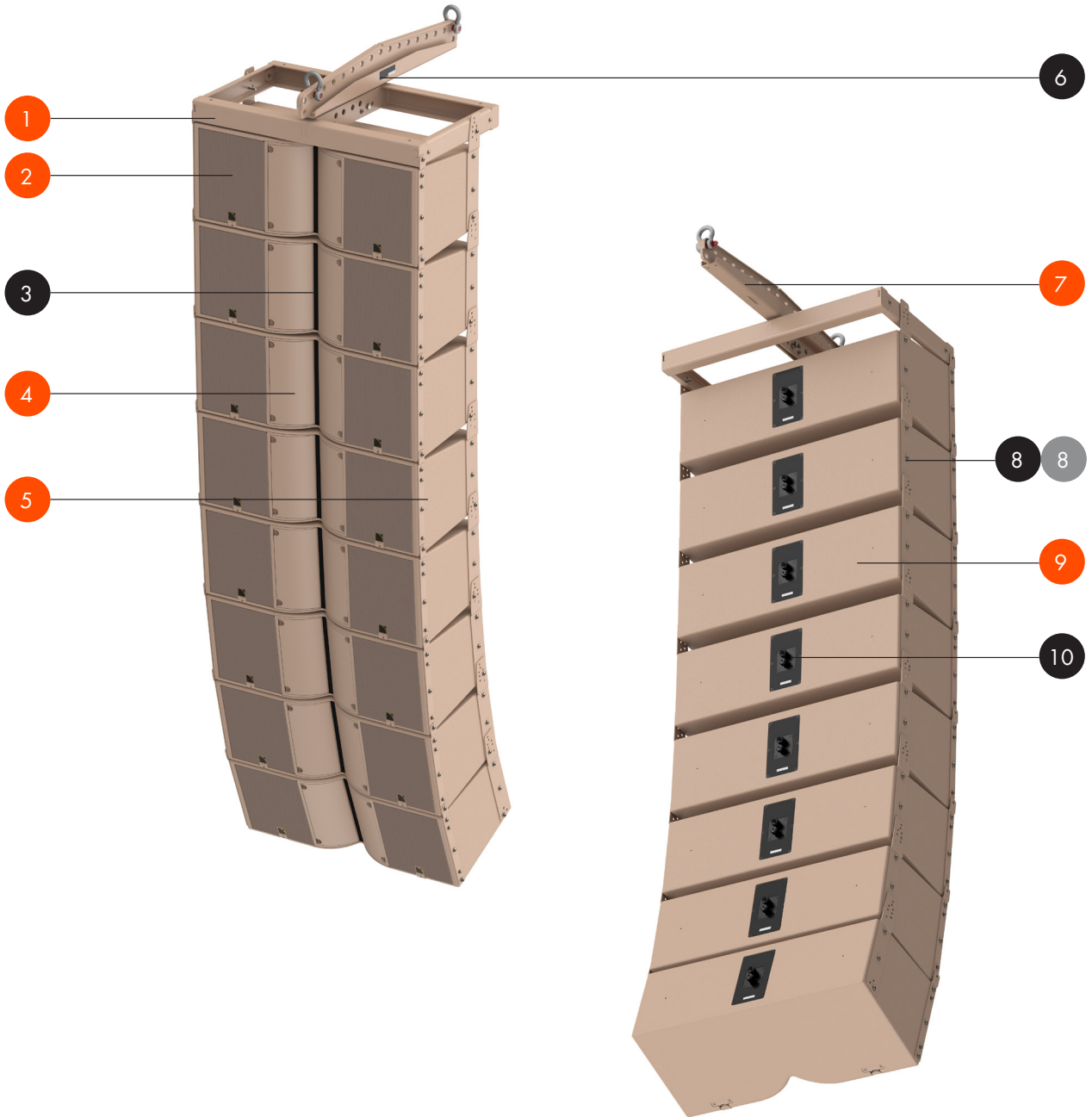


- 1 KARALI-BUMP
- 2 SB18Ili-SCREEN
- 3 SB18 Ili enclosure
- 4 SB18 Ili and Kara Ili links
- 5 KARALI-TILT
- 6 KARALI-SCREEN

- 7 Links screws
- 8 KARA Ili enclosure
- 9 M-BARi
- 10 M-BARi label
- 11 KARALI-SCREEN

- WHITE OR RAL CLASSIC ●
- WHITE ○
- BLACK ●
- STAINLESS ●

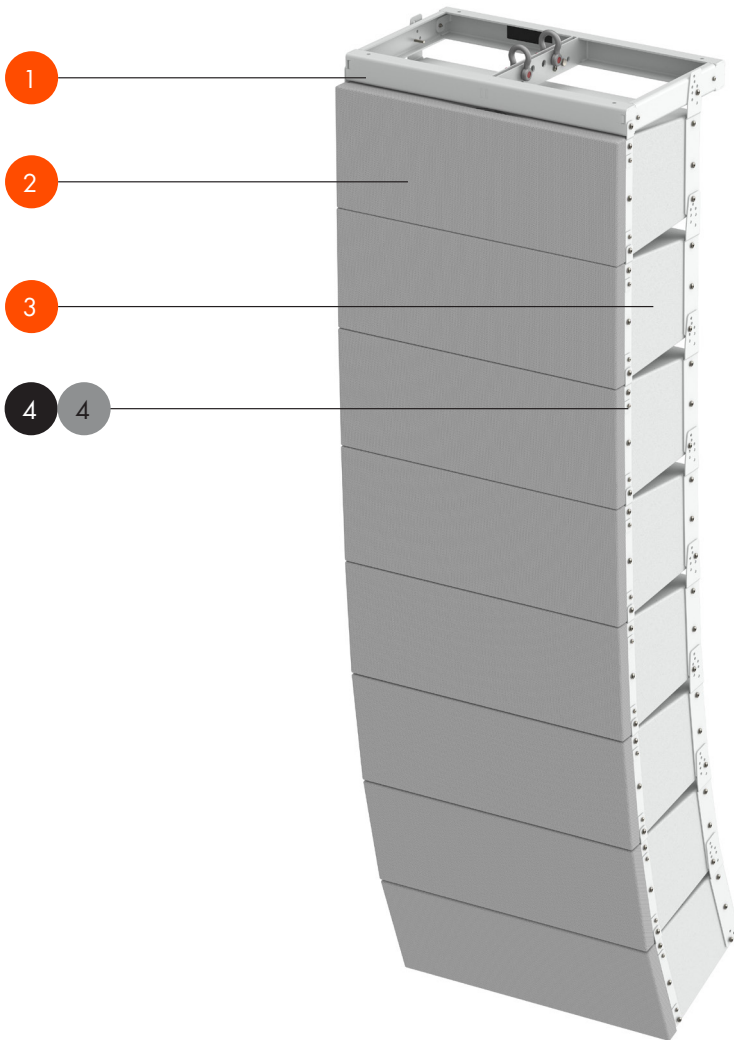
K SERIES - K3i



- 1 K3i-BUMP
- 2 K3i Air net + grill
- 3 K3i HF Air Net
- 4 K3i Panflex
- 5 K3i-LINK
- 6 K3i-LINK label
- 7 K3i-BAR

- 8 Links screws
- 9 K3i enclosure
- 10 K3i connector plate

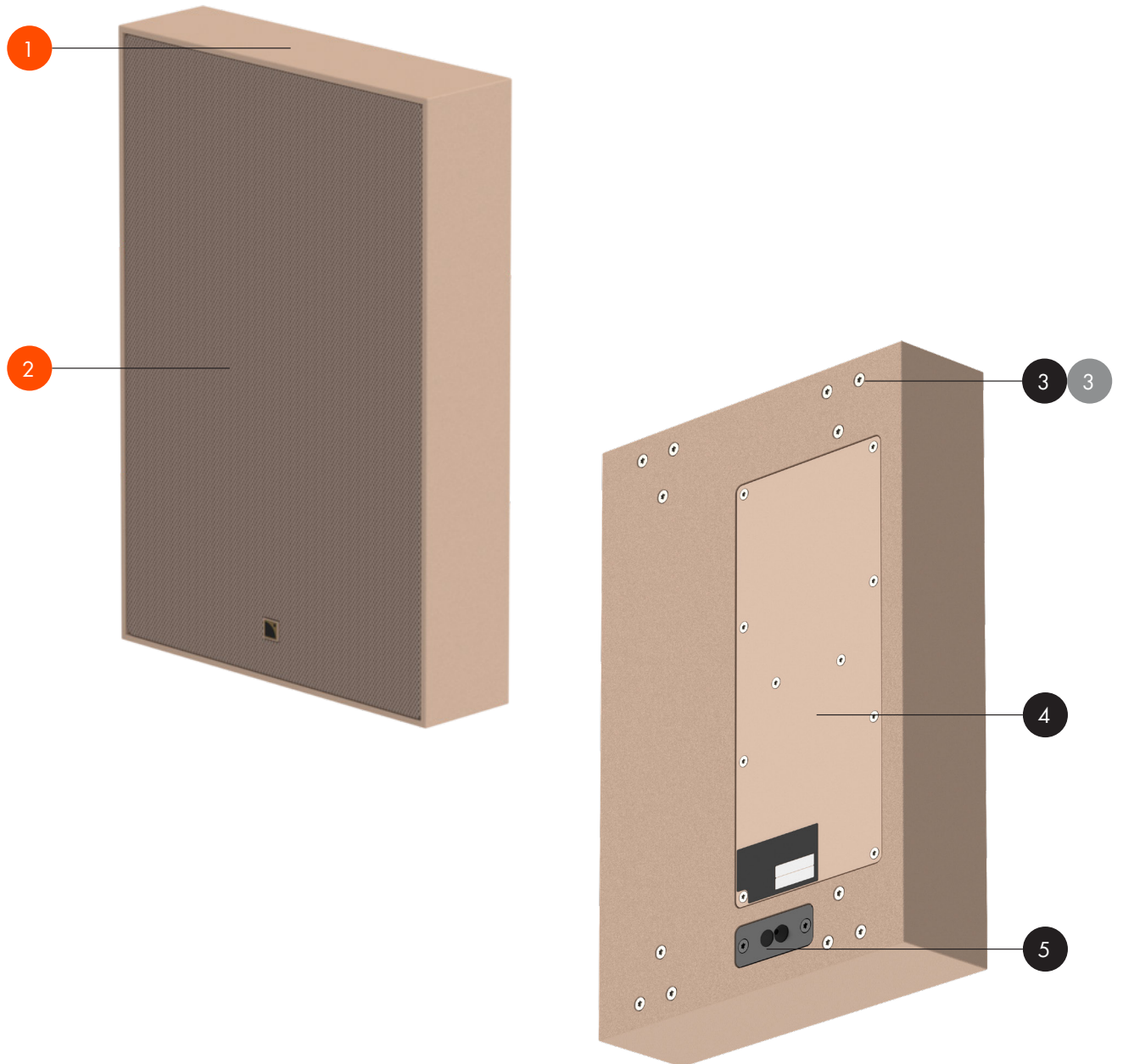
- WHITE OR RAL CLASSIC ●
- WHITE
- BLACK
- STAINLESS



- 1 K3i-BUMP
- 2 K3i-SCREEN
- 3 K3i enclosure
- 4 K3i-SCREEN screws

- WHITE OR RAL CLASSIC ●
- WHITE ○
- BLACK ●
- STAINLESS ●

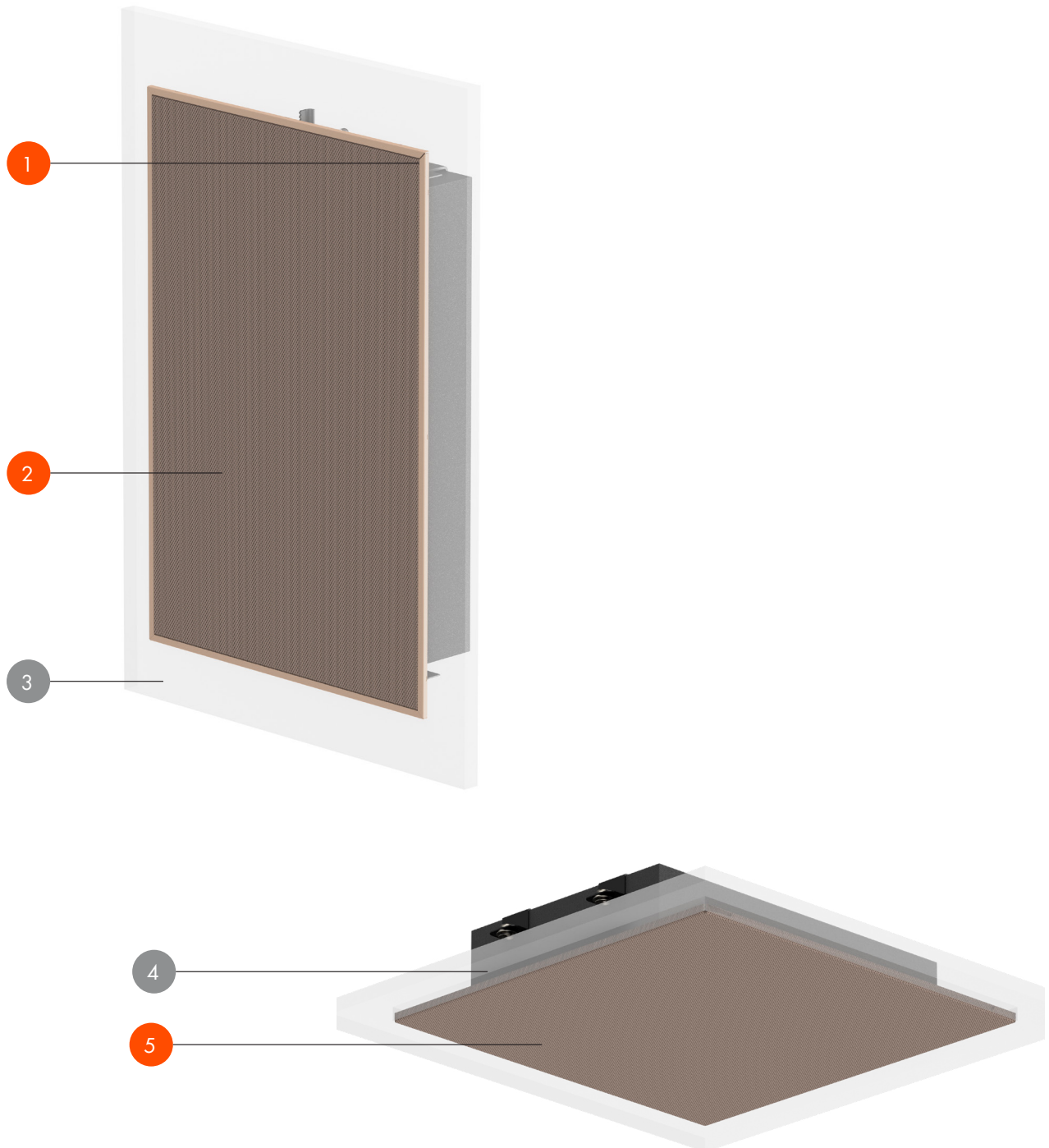
SUB SERIES - SB6i



- 1 SB6i enclosure
- 2 SB6i Air net + grill
- 3 SB6i screws
- 4 SB6i rear plate
- 5 SB6i connector panel

- WHITE OR RAL CLASSIC ●
- WHITE
- BLACK
- STAINLESS

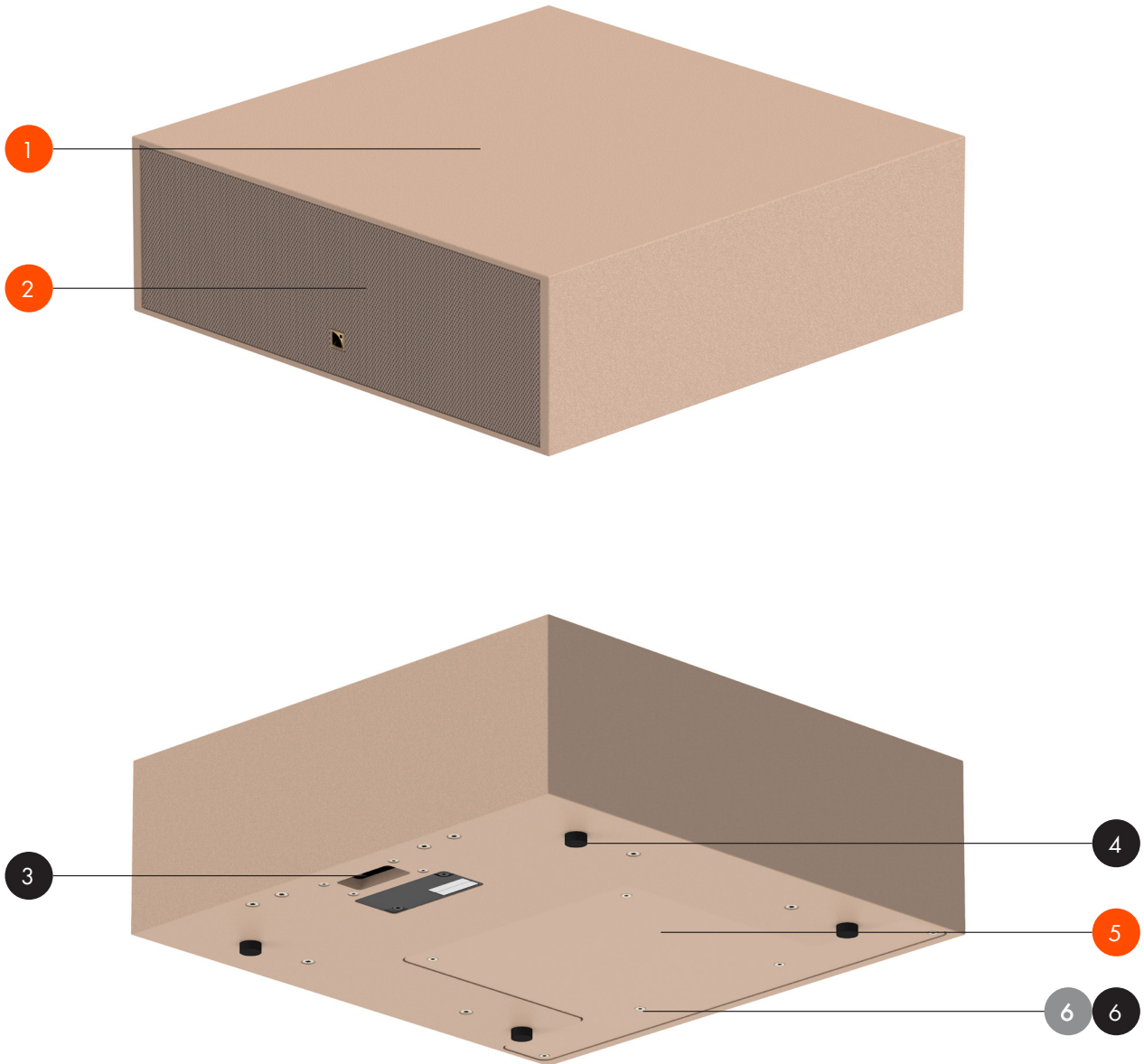
SUB SERIES - SB6r



- 1 SB6r inWall / SB6r inCeiling frame
- 2 SB6r inWall / SB6r inCeiling screen
- 3 Wall
- 4 Ceiling
- 5 SB6r inTile screen

- WHITE OR RAL CLASSIC ●
- WHITE ○
- BLACK ●
- STAINLESS ●

SUB SERIES - SB10i

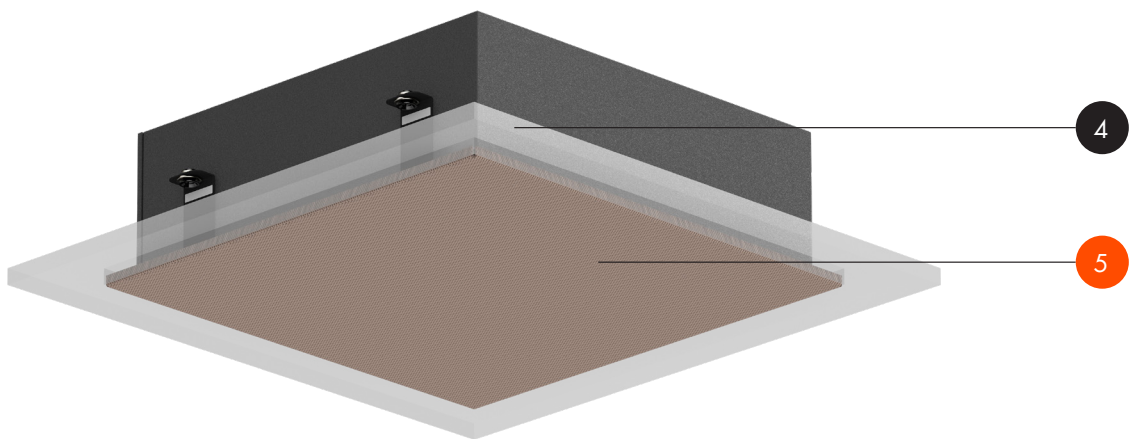
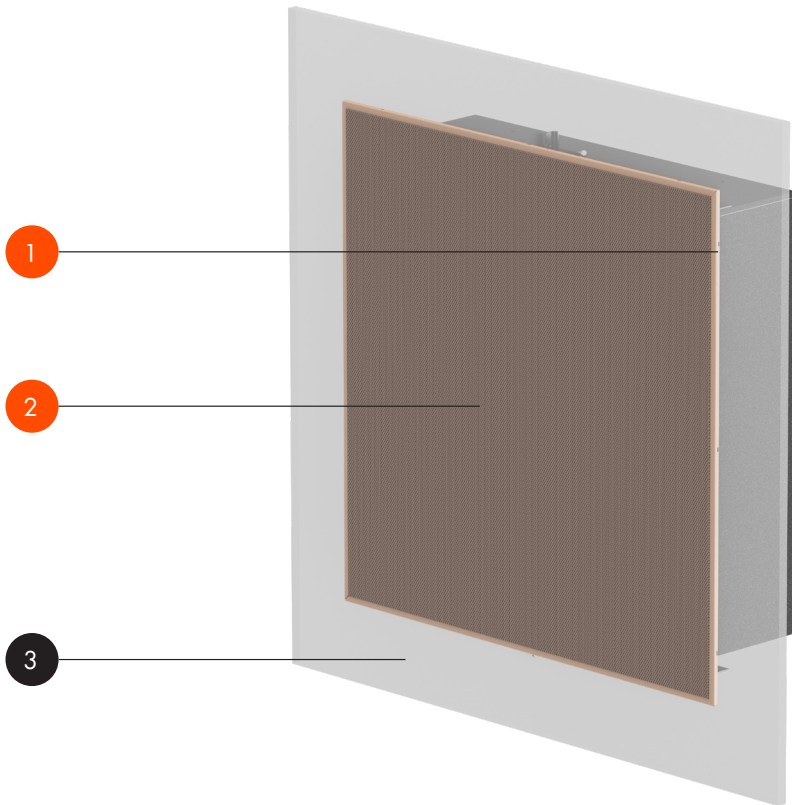


- 1 SB10i enclosure
- 2 SB10i grill
- 3 SB10i connector panel
- 4 SB10i rubber pads
- 5 SB10i rear plate

- 6 SB10i screws

- WHITE OR RAL CLASSIC ●
- WHITE
- BLACK
- STAINLESS

SUB SERIES - SB10r



- 1 SB10r inWall / SB10r inCeiling frame
- 2 SB10r inWall / SB10r inCeiling screen
- 3 Wall
- 4 Ceiling
- 5 SB10r inTile screen

- WHITE OR RAL CLASSIC ●
- WHITE
- BLACK
- STAINLESS



L-Acoustics

13 rue Levacher Cintrat - 91460 Marcoussis - France
+33 1 69 63 69 63 - info@l-acoustics.com

l-acoustics.com / lisa-immersive.com / l-acoustics-creations.com